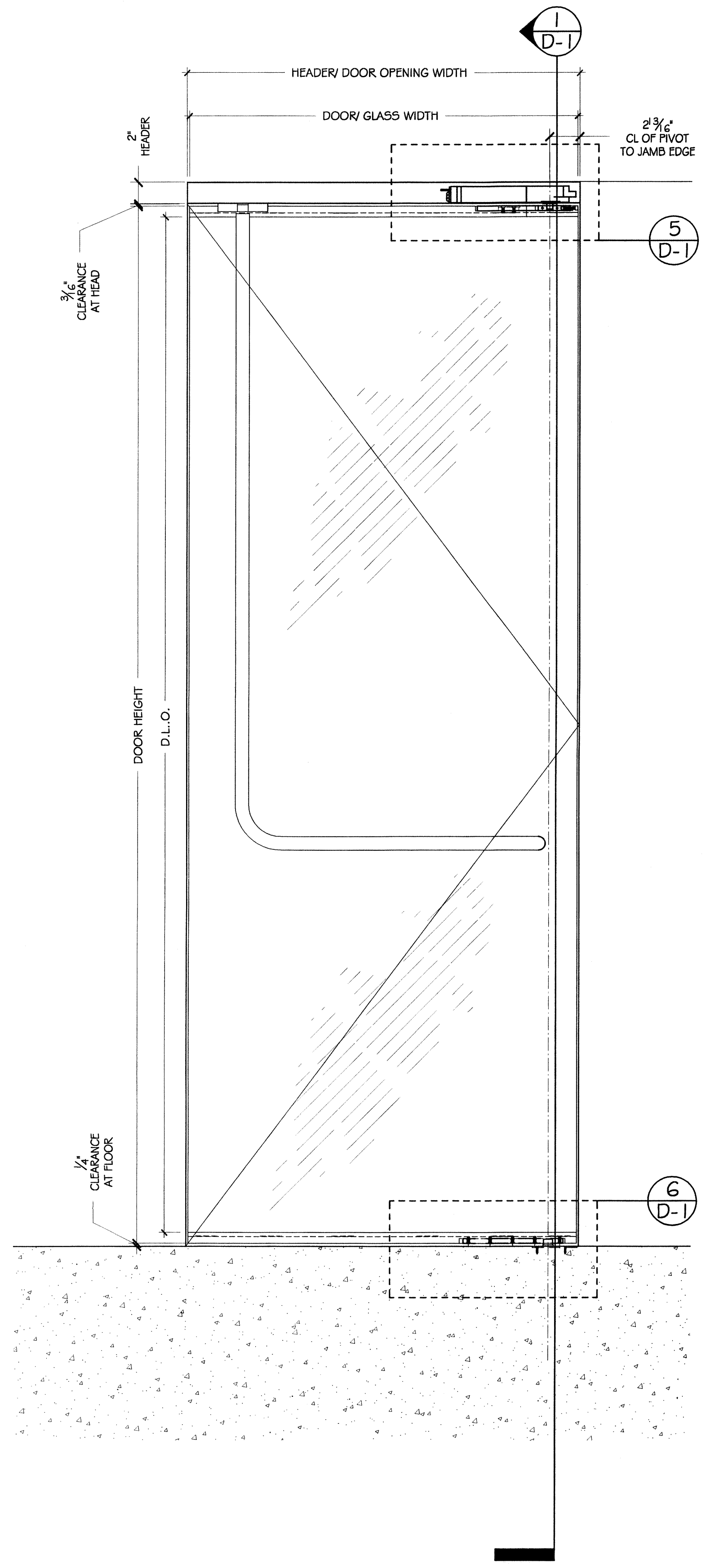
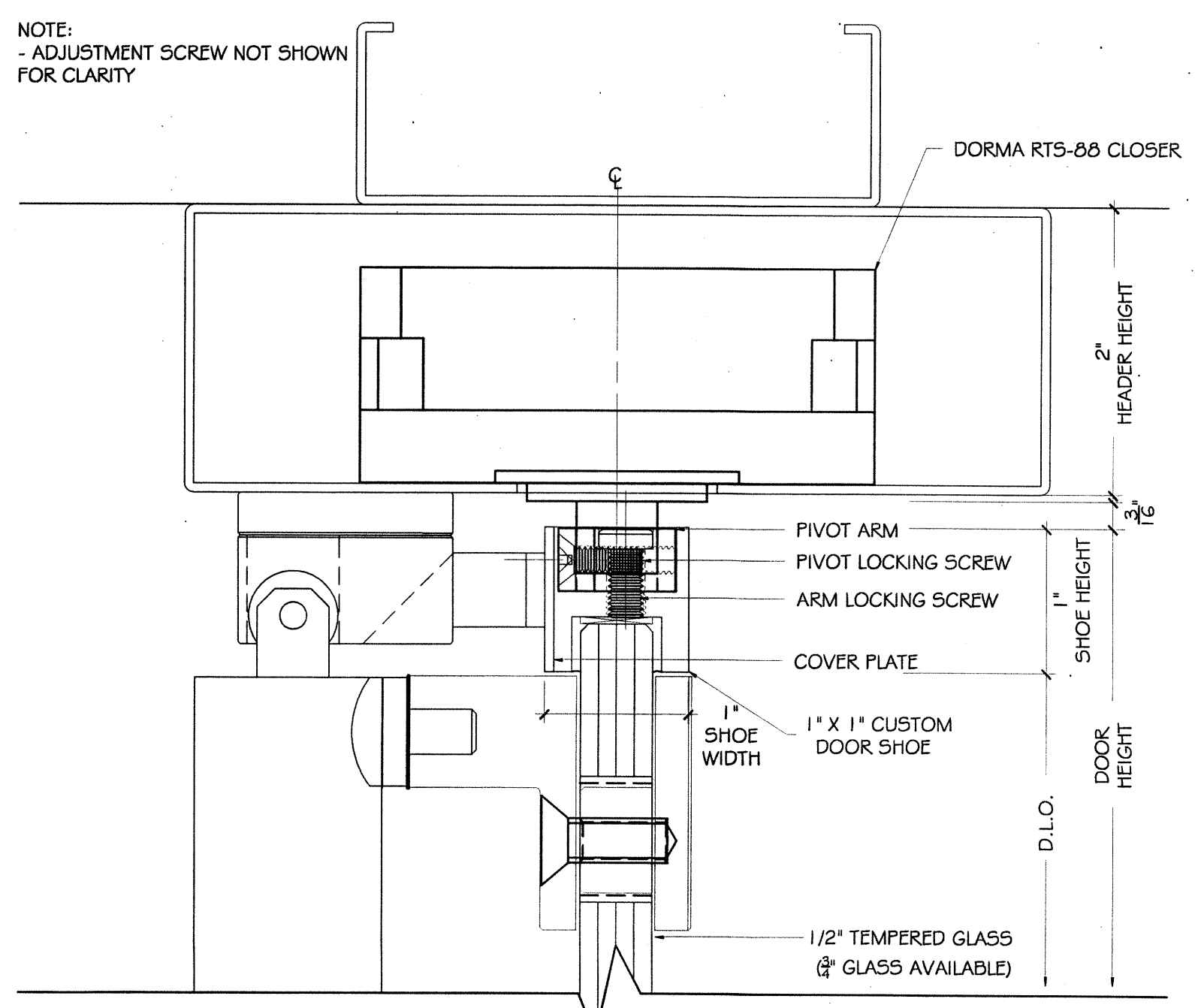


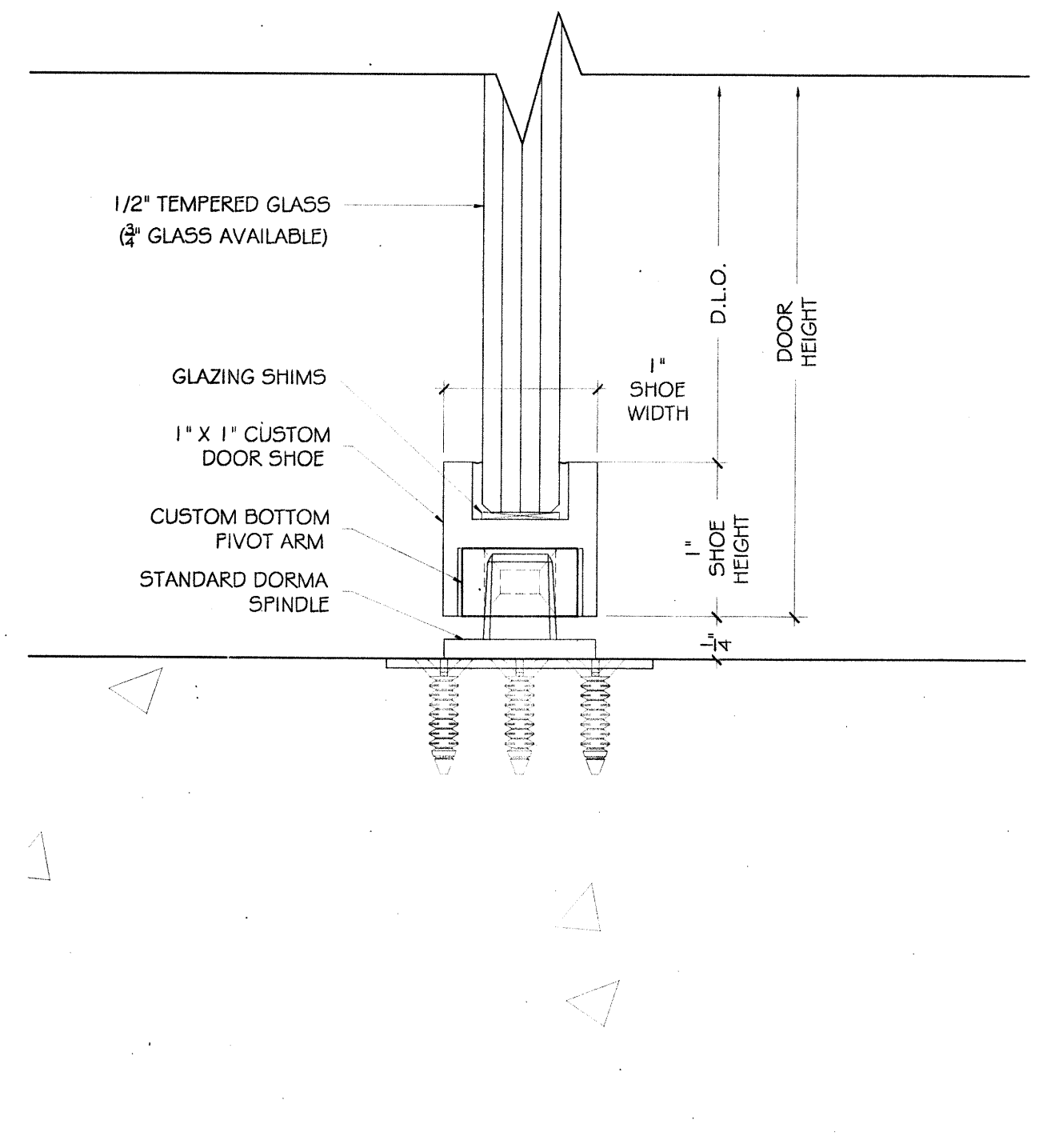
1 DOOR SECTION
1-1/2" = 1'-0"



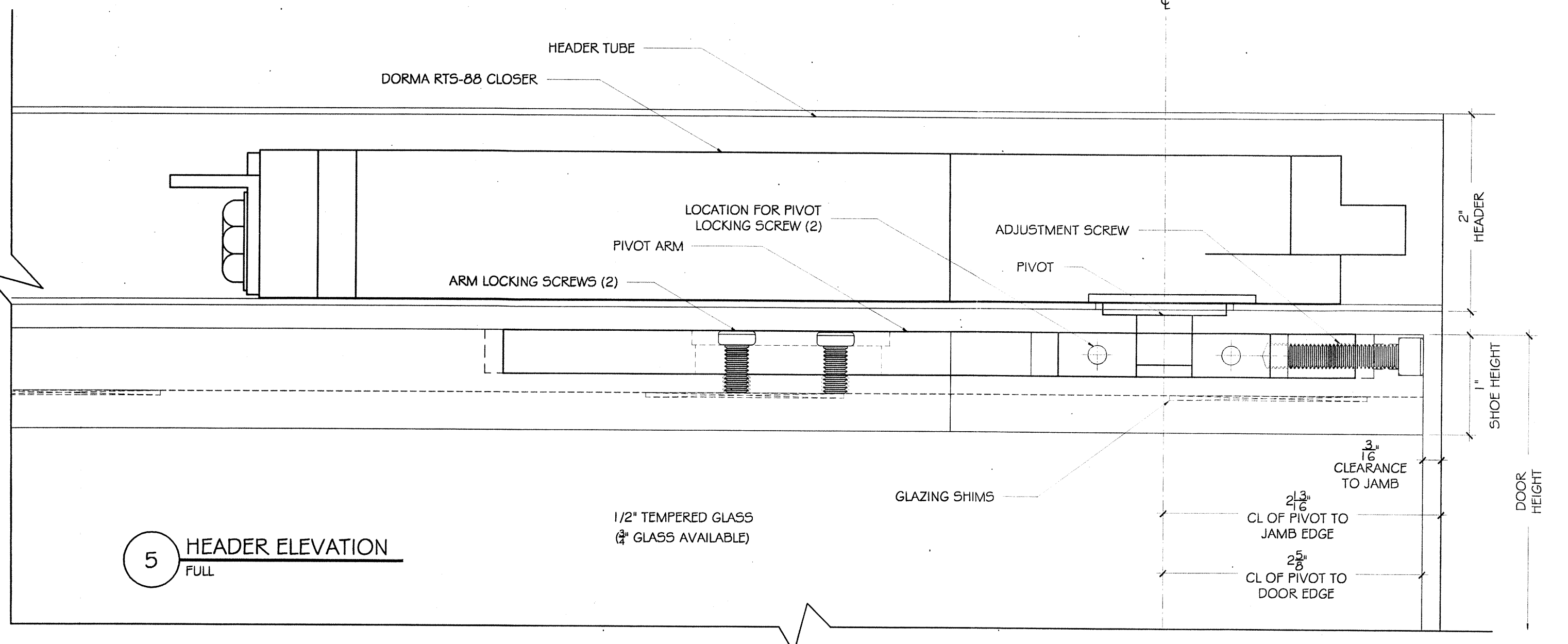
2 DOOR ELEVATION
1-1/2" = 1'-0"



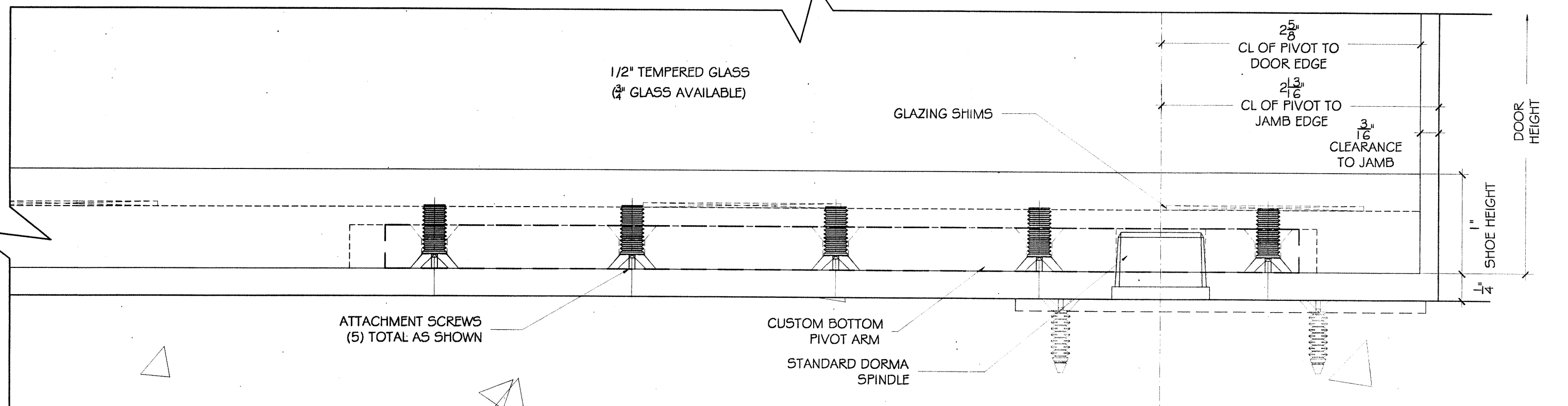
3 HEADER SECTION
FULL



4 CLOSER SECTION
FULL



5 HEADER ELEVATION
FULL



6 CLOSER ELEVATION
FULL

NOTES:
 - DOORS SHOWN WITH AVAILABLE PANIC HARDWARE (OTHER HANDLES AVAILABLE)
 - HEADER TUBE CAN BE DECREASED TO 4" X 2" IF DESIRED (SHOWN AS 6" X 2" AS PANIC HARDWARE IS INCORPORATED)
 - SEE ISOMETRIC DRAWING ON D-2 FOR CLARIFICATION OF FIT AND FUNCTION FOR THIS SYSTEM

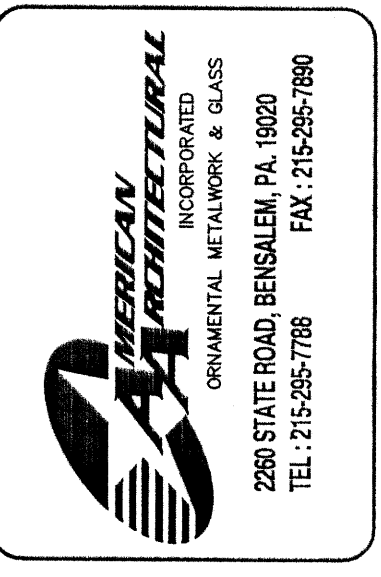
NOTE:
 - ADJUSTMENT SCREW NOT SHOWN FOR CLARITY

THIS PRINT IS FURNISHED BY AMERICAN ARCHITECTURAL, INC. WITH THE UNDERSTANDING THAT IT WILL BE USED TO FABRICATE AND COORDINATE THE INSTALLATION OF WORK CONTRACTED TO AMERICAN ARCHITECTURAL, INC. ONLY. AMERICAN ARCHITECTURAL, INC. IS NOT RESPONSIBLE FOR ACTIONS MADE BY ANYONE OTHER THAN AMERICAN ARCHITECTURAL, INC. BASED ON THE INFORMATION IN THIS PRINT.

RECORD OF PRINTS			
DATE	QUANT.	TO	FOR

REVISIONS			
No.	Date	Revision/Issue	By

PROJECT:	AMERICAN DOOR		
LOCATION:	2260 STATE ROAD, BENSALEM, PA		
ARCHITECT:	N/A	CONTRACTOR:	N/A
DRAWING TITLE:	AMERICAN DOOR OVERHEAD CLOSER SYSTEM		



DATE:	May '07
DRAWN BY:	NRS
CHECKED BY:	
SCALE:	AS NOTED
PROJECT NUMBER:	06-378
DRAWING NUMBER:	D-1